

Search...

[Advanced search](#)

How to connect the TTL Adaptor to a Seagate drive :

Post a reply

Search this topic...

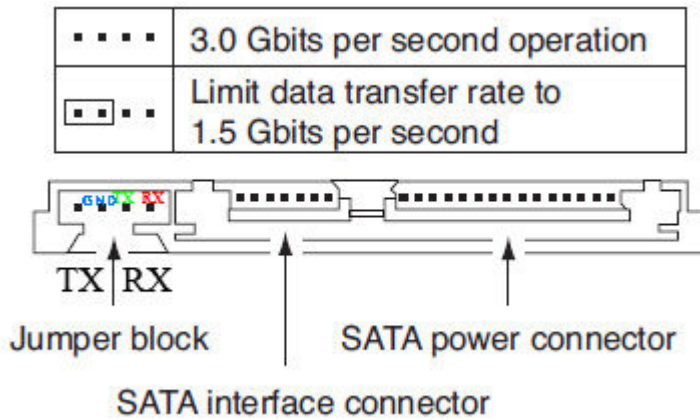
8 posts • Page 1 of 1

- [Reply with quote \(./posting.php?mode=quote&f=6&p=436\)](#)

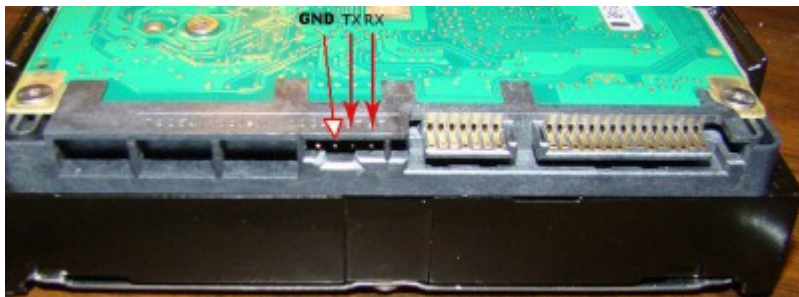
How to connect the TTL Adaptor to a Seagate drive : (#p436)

by Drforbin » Thu Apr 25, 2013 12:29 am

Pictures of 7200 series connection block.



connector.jpg (30.98 KiB) Viewed 13796 times



[\(./download/file.php?id=159&mode=view\)](#)

Enjoy
Df.

Top

- [Reply with quote \(./posting.php?mode=quote&f=6&p=1394\)](#)

Re: How to connect the TTL Adaptor to a Seagate drive : (#p1394)

by Spildit » Wed Jul 10, 2013 2:39 am

Parity - None
Stop Bits - 1
Flow Control - None (You might have to set it to Xon/Xoff)

Top

- [Reply with quote \(./posting.php?mode=quote&f=6&p=3061\)](#)

Re: How to connect the TTL Adaptor to a Seagate drive : (#p3061)

by skaox » Thu Feb 20, 2014 10:02 am

it work like a charm for me with this configs in ubuntu with GtkTerm and a Prolific Technology, Inc. PL2303 Serial Port.

Easy install GtkTerm with ubuntu software center and no drivers needed for the USB TTL 😊

Thank you !

Top

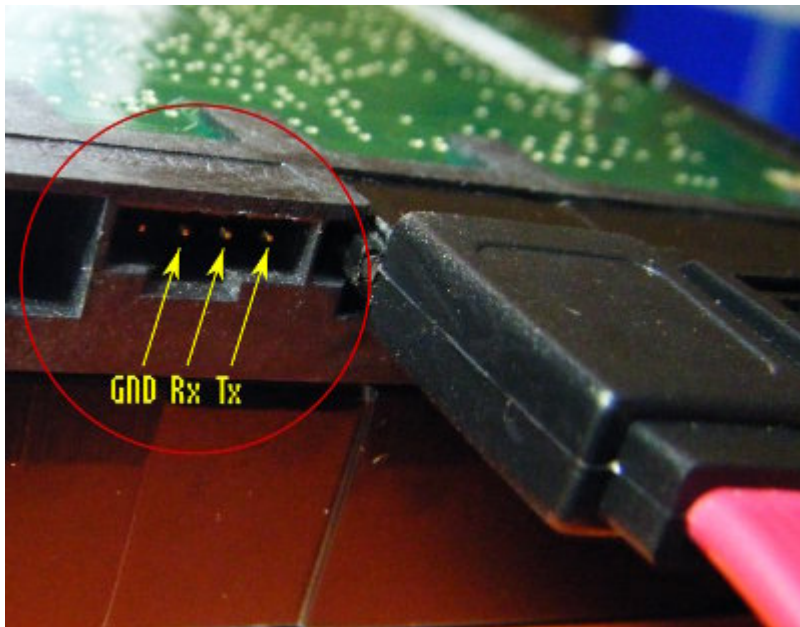
- [Reply with quote \(./posting.php?mode=quote&f=6&p=3938\)](#)

Re: How to connect the TTL Adaptor to a Seagate drive : (#p3938)

by saltwater » Wed Jun 11, 2014 12:41 pm

In the first post terminal connection picture TX RX connection is incorrect!

Here it is the correct connection:



Top

- [Reply with quote \(./posting.php?mode=quote&f=6&p=3950\)](#)

Re: How to connect the TTL Adaptor to a Seagate drive : (#p3950)

by fzaabkar » Wed Jun 11, 2014 7:52 pm

Both pinouts are correct.

"Transmit" and "receive" are relative terms, depending on whether you are viewing the interface from the drive's point of view, or the host's. That is, a host will transmit on a particular pin while the drive will receive on that same pin.

Top

- [Reply with quote \(./posting.php?mode=quote&f=6&p=3952\)](#)

Re: How to connect the TTL Adaptor to a Seagate drive : (#p3952)

by Spildit » Wed Jun 11, 2014 7:56 pm

fzabkar wrote:

Both pinouts are correct.

"Transmit" and "receive" are relative terms, depending on whether you are viewing the interface from the drive's point of view, or the host's. That is, a host will transmit on a particular pin while the drive will receive on that same pin.

Agree !

If it doesn't work one way just swap TX with RX and try it that way !

Top

- [Reply with quote \(./posting.php?mode=quote&f=6&p=3955\)](#)

Re: How to connect the TTL Adaptor to a Seagate drive : (#p3955)

by fzabkar » Wed Jun 11, 2014 8:42 pm

I believe saltwater's diagram is seeing the interface from the drive's perspective. To eliminate confusion in such cases, I prefer to use arrows to indicate the direction of data flow.

Top

Display posts from previous: Sort by

Post a reply

8 posts • Page 1 of 1

[Return to Seagate](#)

Jump to:

Who is online

Users browsing this forum: No registered users and 1 guest

Powered by phpBB® Forum Software © phpBB Group

Style by Marc Alexander ©